

This quick reference guide describes how to assemble and use the scanner stand with a 1550 series laser scanner.

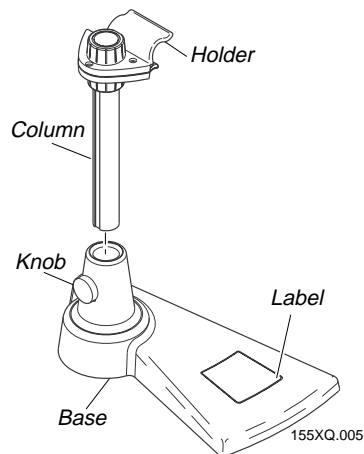
1550 Series Scanner Stand Quick Reference Guide

This scanner stand, combined with an auto-trigger laser scanner, gives you hands-free scanning. The scanner stand consists of a base and a column with a holder, and an optional reflective label (for use with 1550A02 and 1550A04 auto-trigger scanners, and 1551AXX decoding scanners). The 155XB scanners use the label already on the base of the stand. Just place the 1550B02, 1550B04, or 1551BXX in the holder and you are ready to scan.

Note: The scanner stand will not work with a manually triggered laser scanner.

To assemble the scanner stand

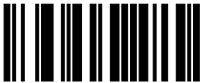
1. Insert the column into the base.
2. Adjust the column height and then tighten the knob to secure the column to the base.
3. If you have a 1550AXX auto-trigger scanner or a 1551AXX decoding scanner, place the reflective label over the label on the base of the scanner stand.



Configuring a 1551AXX Decoding Laser Scanner

You need to configure a 1551A02, 03, or 07 decoding laser scanner to use the scanner stand. Scan this bar code to enable Stand mode:

Enable Stand

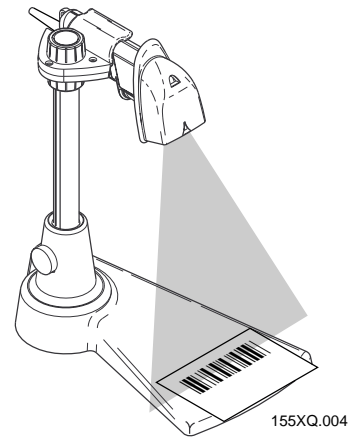


Note: An auto-trigger laser scanner is preset at the factory and does not need to be configured.

Inserting the Scanner and Scanning Hands-Free

1. Place the scanner handle on the bottom ledge of the holder and then rotate the handle into the holder until it snaps into place.
2. Align the scanner and adjust the column height so that the scanner's pulsating laser beam covers the entire label on the base of the stand.

Note: The 1550A02, 04 and 1551AXX scanners must use the reflective label. Place the reflective label that was shipped with the scanner stand over the label on the base of the stand.



3. To scan a bar code label, place the bar code right-side up over the label on the base of the stand.

When the terminal or scanner beeps, the bar code has been read.

Hand-Held Scanning

If you remove the scanner from the stand, it will immediately reset to hand-held scanning. When you return the scanner to the stand, it will resume a pulsating laser beam and scan bar codes placed over the label on the base of the stand.

If you use a 1551AXX decoding laser scanner for extended hand-held scanning, disable Stand mode to conserve power.

To disable Stand mode

If you have a 1551AXX decoding laser scanner, scan this bar code:



Intermec
Technologies Corporation

6001 36th Avenue West
P.O. Box 4280
Everett, WA 98203-9280

© 1998 Intermec
All Rights Reserved

P/N 063792-003