

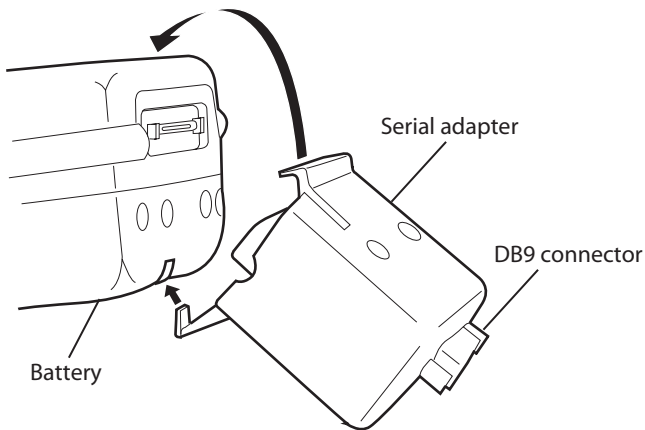


## Decoded Serial Adapter Instructions

Use the Decoded Serial Adapter to turn the 26-pin serial port on the CK30 and CK31 Handheld Computers into a DB9 (9-pin) male serial connector that you can connect to a decoded scanner.

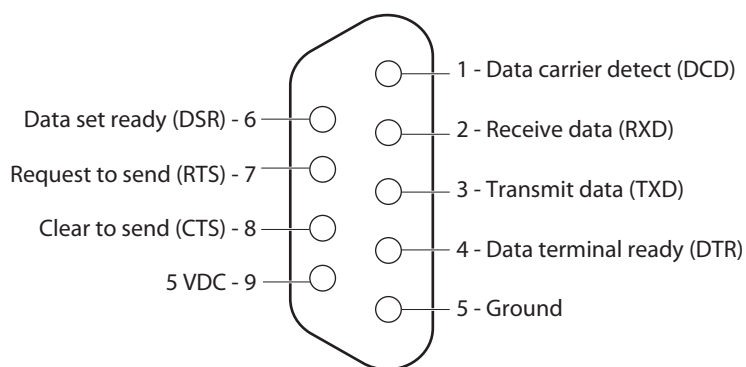
### Installing the Serial Adapter

- 1 Hook the serial adapter into the battery on the CK30 or CK31 and then snap it into place.



- 2 Connect a scanner to the DB9 connector on the serial adapter.
- 3 Use Intermec Settings to configure the serial port. For help using Intermec Settings, see your computer user's manual.

## DB9 Connector Pin Assignments



*This illustration shows the pin assignments for the DB9 male connector on the serial adapter.*

## Specifications

Electrical rating:	5 VDC, 350 mA
Communications port:	DB9 male, RS-232
Operating temperature:	-20°C to 50°C (-4°F to 122°F)
Storage temperature:	-20°C to 60°C (-4°F to 140°F)
Supported scanners:	1400, 1470B, 1551E, 1553E, 1555E, 1800 (Trigger mode only)



**Worldwide Headquarters**  
6001 36th Avenue West  
Everett, Washington 98203  
U.S.A.

**tel** 425.348.2600

**fax** 425.355.9551

[www.intermec.com](http://www.intermec.com)

© 2006 Intermec Technologies Corporation. All rights reserved.

Decoded Serial Adapter Instructions



P/N 943-029-002