

Quick Reference Guide

P/N 066390-002

7421/7422 Cutter

 **ntermec**

A **UNOVA** Company

Intermec Technologies Corporation
6001 36th Avenue West
P.O. Box 4280
Everett, WA 98203-9280

U.S. service and technical support: 1-800-755-5505
U.S. media supplies ordering information: 1-800-227-9947

Canadian service and technical support: 1-800-688-7043
Canadian media supplies ordering information: 1-800-268-6936

Outside U.S. and Canada: Contact your local Intermec service supplier.

The information contained herein is proprietary and is provided solely for the purpose of allowing customers to operate and/or service Intermec manufactured equipment and is not to be released, reproduced, or used for any other purpose without written permission of Intermec.

Information and specifications in this manual are subject to change without notice.

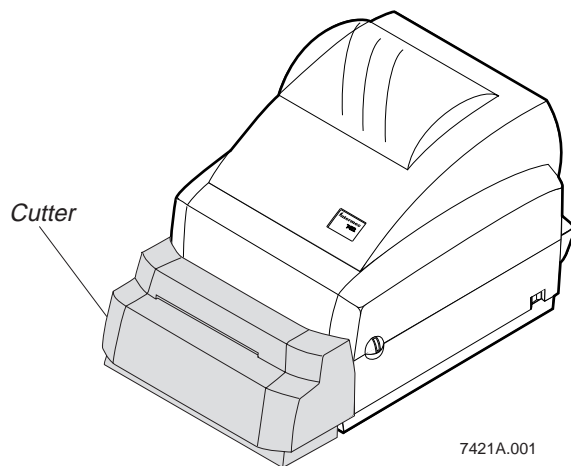
© 1998 by Intermec Technologies Corporation
All Rights Reserved

The word Intermec, the Intermec logo, JANUS, IRL, TRAKKER, Antares, Adara, Duratherm, EZBuilder, Precision Print, PrintSet, Virtual Wedge, and CrossBar are either trademarks or registered trademarks of Intermec Technologies Corporation.

Throughout this manual, trademarked names may be used. Rather than put a trademark (™ or ®) symbol in every occurrence of a trademarked name, we state that we are using the names only in an editorial fashion, and to the benefit of the trademark owner, with no intention of infringement.

Introducing the 7421/7422 Cutter

When installed and enabled on a 7421 or 7422 printer, the cutter automatically cuts continuous media into individual labels. This option works best for individual random lengths or short batches of different label lengths.



This guide describes how to complete these tasks:

- Installing the cutter.
- Enabling the cutter.
- Removing the cutter.
- Removing jammed media from the cutter.

The guide also provides the specifications for the cutter.

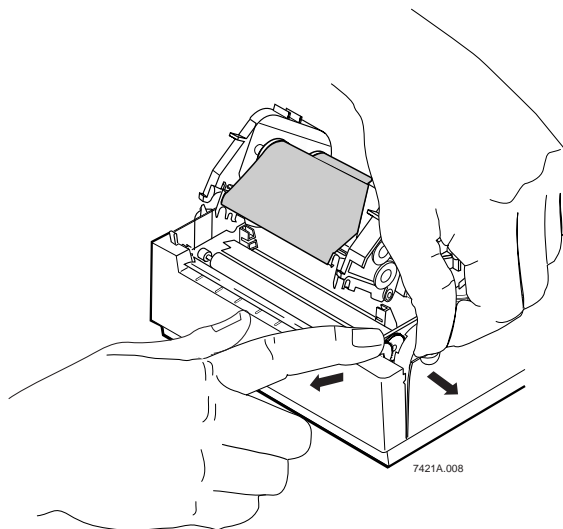
***Note:** Do not use the cutter on adhesive backed materials, the adhesive will dull the cutter's blade. For adhesive backed labels, cut the liner between labels.*

Installing the 7421/7422 Cutter

The following instructions explain how to install the cutter.

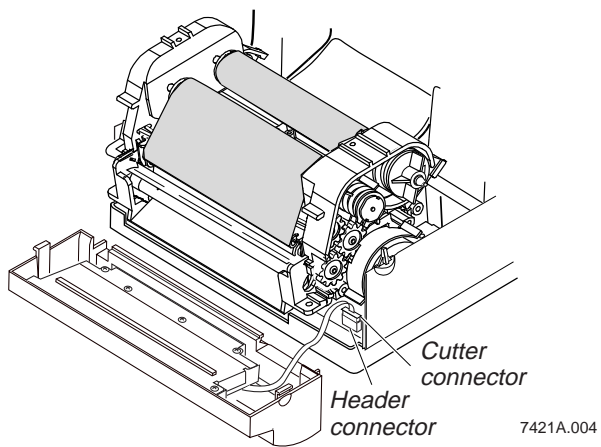
To install the cutter

1. Turn off the printer.
2. Disconnect the power supply.
3. Press the cover release on each side of the printer cover and pull up to open the printer cover.
4. Remove the media from the printer bezel.
5. Gently push out on the sides of the printer where the bezel is connected.

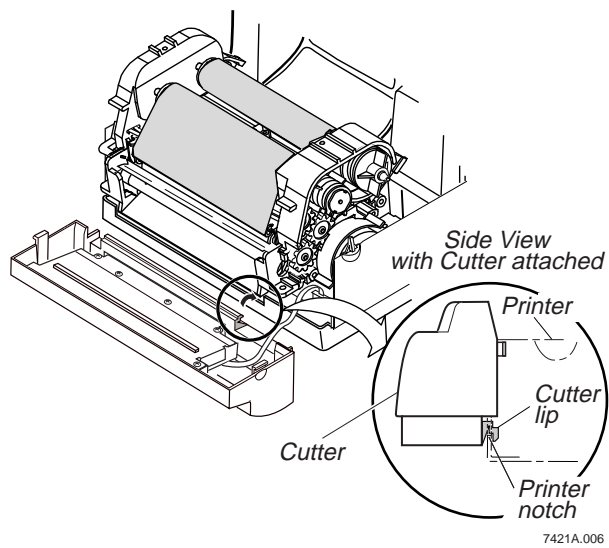


6. Tilt the bezel forward until it unlatches and then set the printer bezel aside.

7. Plug the cutter connector into the header connector.



8. Match the lip on the cutter to the wide notch on the front of the printer's base and set the lip of the cutter into the notch.



9. Swing the cutter up and snap the cutter into place. If the cutter does not easily snap into place, check the lip to ensure it is positioned correctly in the notch. Then gently push out on the sides of the printer until the cutter is in place.
10. Close the printer cover.
11. Reconnect the power supply.
12. Turn on the printer.
13. Enable the cutter. For help, see “Enabling the Cutter” later in this guide.

Enabling the Cutter

Before you can use the cutter to cut a label, you must enable the cutter. The 7421 and 7422 printers use different applications to configure the printer and enable the cutter:

- The 7421 uses PrintSet.
- The 7422 uses Create-A-Label (CAL) Tools.

Before you enable the cutter

1. Load PrintSet or CAL Tools on your PC. For help, see the online documentation that comes with each application.
2. Connect your printer to your PC.

Note: For PrintSet, you need to connect the 7421 printer to your PC using a serial port.

3. Load media into your printer. For help loading the media, see your 7421 or 7422 user’s manual.
4. Connect the printer to the power supply.
5. Turn on the printer.

After you turn on the printer, the media advances through the opening in the cutter. If the media does not come through the opening, open the printer cover and ensure that you loaded the media properly.

To enable the cutter on a 7421

1. Start PrintSet on your PC.

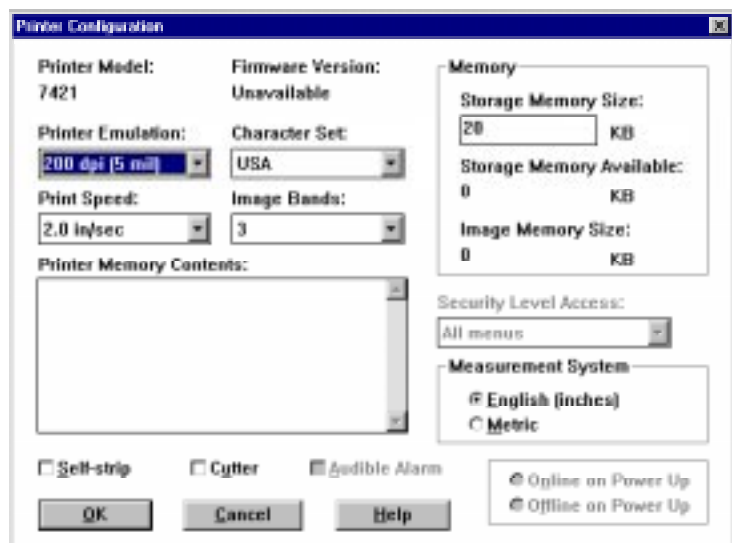


Note: Under the Printer Select menu, check that PrintSet is set up for the 7421 configuration. To customize the configuration for your printer, see the Help menu.

2. Click the Printer Configuration button.



- From the Printer Configuration dialog box, select the Cutter box.



- Choose OK.

Note: If you want to change other configuration settings, you should do so before going to Step 5. For help changing the configuration, see the Help menu.

- Choose the Send Command button.

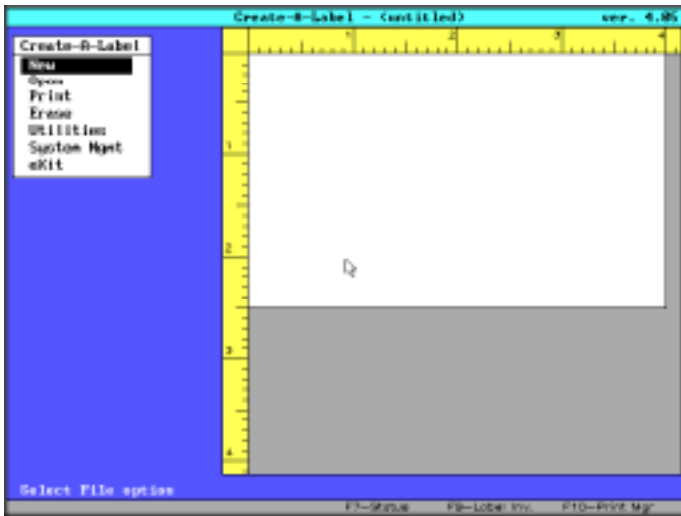


A message box appears asking if you want to overwrite the current printer settings. Choose send to enable the cutter with either the default printer configuration or the configuration you have created.

- Exit PrintSet.

To enable the cutter on a 7422

1. Start CAL Tools on your PC. The Create-A-Label window appears.

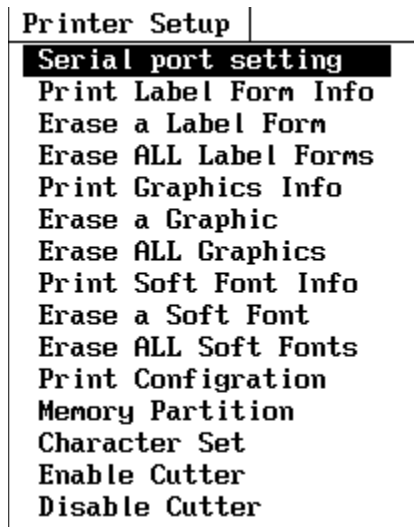


Note: Under System Mgmt, make sure you configure CAL Tools to match your hardware. For help, see the online manual.

2. Choose Utilities. The Utility menu appears.



3. Choose Printer Setup. The Printer Setup menu appears.



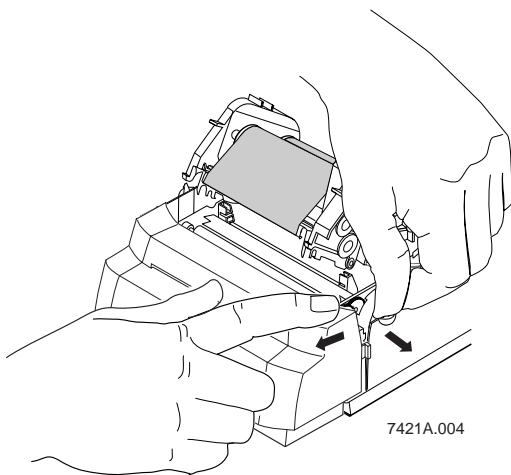
4. Select Enable Cutter. CAL Tools enables the cutter on your printer.
5. Exit CAL Tools or use CAL Tools to create a label. For help creating a label design, see the online manual.

Removing the 7421/7422 Cutter

To perform maintenance or replace the cutter with the standard printer bezel, follow these instructions to remove the cutter.

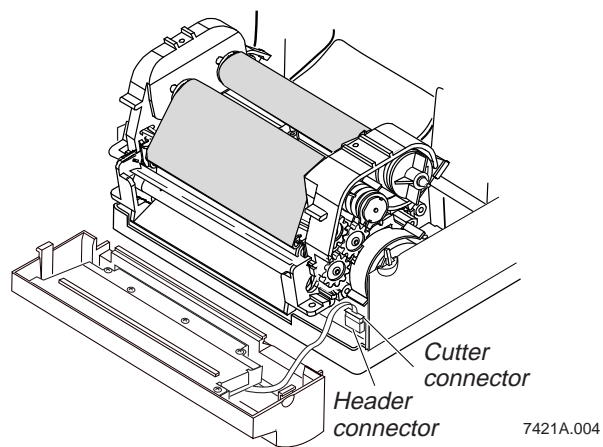
To remove the cutter

1. Turn off the printer.
2. Disconnect the power supply.
3. Press the cover release on each side of the printer cover and pull up to open the printer cover.
4. Remove the media from the cutter.
5. Gently push out on the sides of the printer where the cutter is connected. The top of the cutter will fall slightly forward.



6. Tilt the cutter forward until it unlatches.

7. Unplug the cutter connector from the header connector on the front of the printer's printed circuit board assembly.



Before you reconnect the power supply and turn on the printer power, either replace the cutter or put on the printer bezel.

Removing Jammed Media From the 7421/7422 Cutter

This section describes how to remove media that is stuck in the cutter.

Note: Do not clean the blade with solutions or solvents. If you clean the blade, you may adversely affect blade lubrication and sharpness.



Warning

Never place your fingers or foreign objects inside the cutter. Failure to comply could result in personal injury.

Avertissement

Ne jamais placer vos doigts ou des objets étrangers à l'intérieur du mécanisme de coupure. Le non-respect de cette instruction risque d'entraîner des blessures personnelles.

To remove jammed media from the cutter

1. Turn off the printer.
2. If you can remove the media from the front of the cutter, remove the media using tweezers.

If you cannot remove the media from the front of the cutter, remove the cutter and remove the media. Replace the cutter.

3. Turn on the printer.

Cutter Specifications

Rating	500,000 cuts at 0.005-inch (0.13 mm) paper thickness 1,000,000 cuts at 0.003-inch (0.08 mm) paper thickness
Cutting Method	Guillotine-type blade
Mounting	Attaches to the 7421 or 7422 printer. Adds 1.5 inches (38 mm) to the printer's length.
Media Type	Paper, direct thermal paper, paper label liners
Maximum Media Thickness	0.005 inch (0.13 mm)
Minimum Media Width	1.12 inches (28 mm)
Maximum Media Width	4.65 inches (118 mm)
Minimum Cut Length	0.5 inch (13 mm)