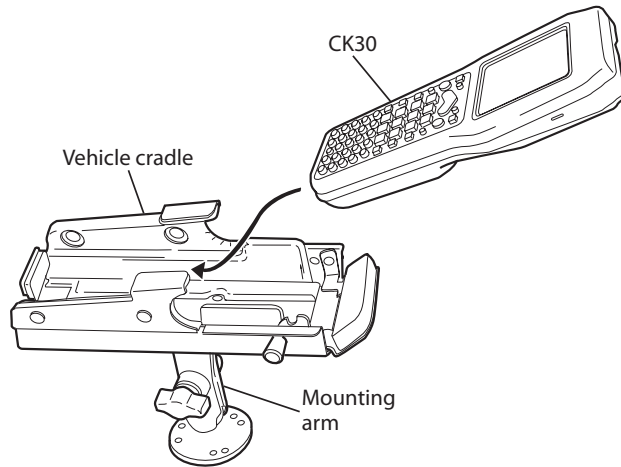
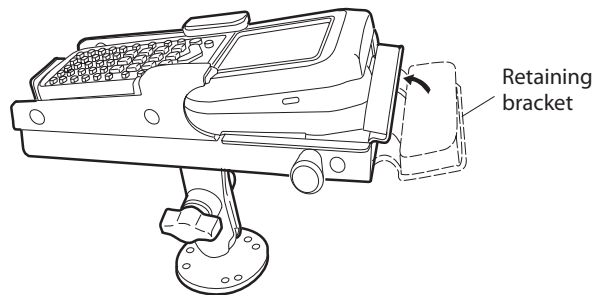


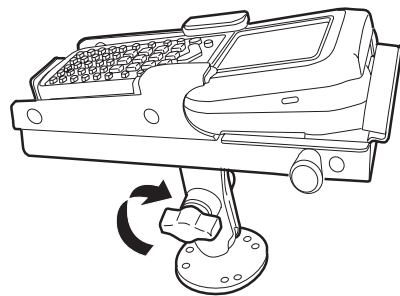
## Using the Vehicle Cradle (continued)



- 2 Push the retaining bracket toward the top of the CK30 until it clicks into place.

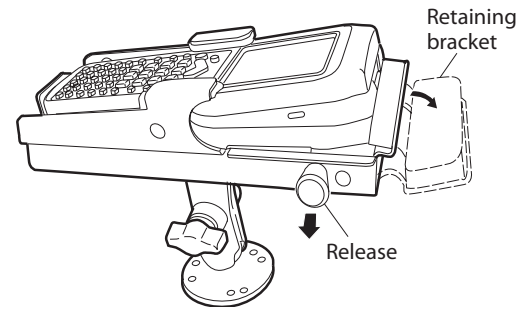


- 3 Tighten the knob to secure the cradle position on the arm.



## To remove the CK30 from the vehicle cradle

- 1 Pull the release for the retaining bracket.



- 2 Lower the retaining bracket.
- 3 Slide the CK30 out of the vehicle cradle.

## Specifications

Width:	9.84 cm (3.875 in)
Length:	23.5 cm (9.25 in)
Height:	6.67 cm (2.625 in)
Weight:	793.79 g (28 oz)
Vibration:	Exceeds MIL-STD-810F



Technologies Corporation  
6001 36th Avenue West  
Everett, WA 98203  
U.S.A.

[www.intermec.com](http://www.intermec.com)

© 2003 Intermec Technologies Corp.  
All Rights Reserved

AV1 Vehicle Cradle Instructions



P/N 073511-001



## AV1 Vehicle Cradle Instructions

The AV1 vehicle cradle provides you with a convenient place to secure the CK30 Handheld Computer on your vehicle. The vehicle cradle also provides the CK30 with additional vibration and shock protection from your vehicle.

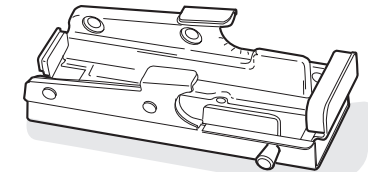


**Note:** The CK30 has either a standard case or a wide case, depending on the type of internal scanner that is installed. You can only use the vehicle cradle for a CK30 with a standard case.

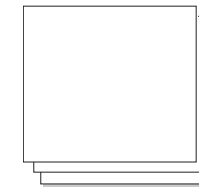
These instructions describe how to install and use the vehicle cradle. Before using the vehicle cradle, please read these instructions and keep them for future use.



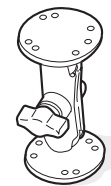
Mounting hardware



AV1 Vehicle Cradle



Instructions



Mounting assembly

## Shipping Box Contents

## Installing the Vehicle Cradle

To install the vehicle cradle, you need these tools and materials (not included):

- Common hand tools
- Torque driver
- Appropriate mounting hardware for the mounting surface
- Electric drill and drill bits

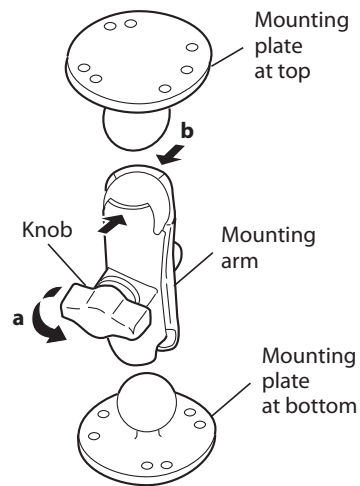
Before installing the AV1 vehicle cradle, you should choose a location for the cradle where the operator can easily see the CK30 screen and use the keypad. If possible, install the vehicle cradle in a location that prevents glare from overhead lighting and sunlight.

### To install the vehicle cradle

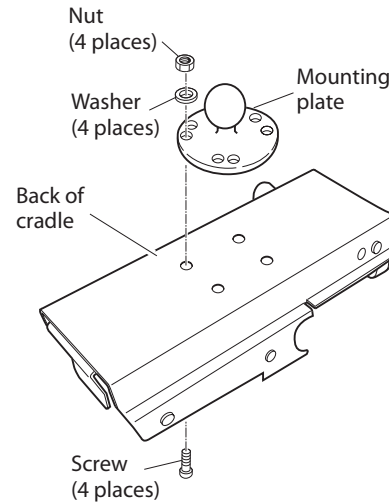
**1** Remove the mounting plates from the mounting arm.

**a** Turn the knob on the mounting arm just until the plate at the top of the arm is released. Remove the plate.

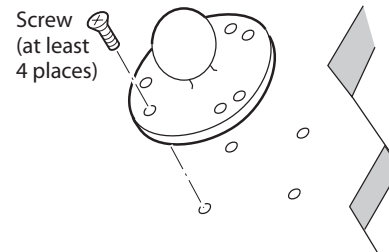
**b** Squeeze the top of the mounting arm and remove the plate at the bottom of the mounting arm.



**2** Use the hardware included in the vehicle cradle kit to attach one of the mounting plates to the back of the vehicle cradle. Tighten the screws to 2.82 Nm (25 in-lb) torque.



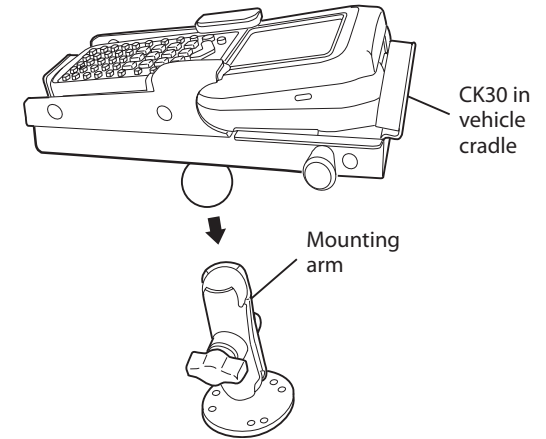
**3** Using the second mounting plate as a template, mark and drill at least four holes in the mounting surface.



**4** Attach the second mounting plate to the mounting surface using appropriate hardware (up to a #10 screw, not supplied) through each of the holes in the mounting plate and the mounting surface.

**5** Squeeze the top of the mounting arm and attach the mounting arm to the mounting plate on the vehicle.

**6** Attach the vehicle cradle to the mounting arm.



**7** Use the knob on the mounting arm to adjust the CK30 to the best-possible viewing angle for the vehicle operator.

Periodically inspect the knob on the mounting arm to make sure it is still tight. Check the vehicle cradle assembly for any signs of fatigue, such as cracking, which may develop over extended use in extreme (vibration) environments. Replace any damaged hardware immediately to ensure continued, safe operation.

## Using the Vehicle Cradle

You can easily insert and remove the CK30 from the vehicle cradle.

### To insert the CK30 in the vehicle cradle

**1** Position the CK30 as shown, and slide it into the vehicle cradle. See the next illustration.